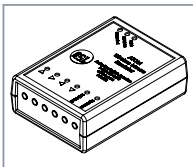
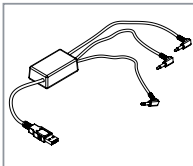


ATOM ACCESSORIES



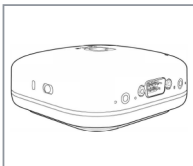
ASL 558 ATOM Bluetooth Wireless Mouse Emulator

The 558 ATOM Bluetooth Wireless Mouse Emulator works in three or four switch functions. The dial settings is a custom feature which will allow adjustments of the directional input from the ATOM to the mouse emulator. For instance, when in user mode, the function of the back pad can be changed to activate up/down, left/right or click/drag. Adjustments can be made of all of the directional outputs of the ATOM. There are 12 switches to adjust speed, response times and the latch/drag delay times. The ON switch is to select MAC or PC platform.



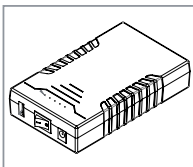
ASL 557-3 ATOM Bluetooth Wireless Switch Receiver

The ASL 557-3 ATOM Bluetooth Wireless Switch Receiver is intended to be used for Bluetooth wireless access to communication devices, TECLA Shield, TECLA E, or switch interfaces on a computer. The USB side plugs into a communication device directly, or into a computer. Each plug corresponds to the pad on the head array (forward, right, or left). You can connect the plugs to the scan and select ports of a communication device, switch interface or TECLA ports. If using with the TECLA products, you need a rechargeable battery.



ASL 545E Tecla - Bluetooth Interface

Tecla is a cloud connected assistive device that provides users with control of their smart device and environment. Using Bluetooth, Tecla connects directly to ATOM technology whenever the ATOM is in wireless mode. ATOM technology speaks directly to the Tecla which is able to connect up to 8 devices. You can use Tecla with iPhone, iPad, iPad Touch, Mac computers with switch control, Apple TV's with switch control, Android devices with switch access, Samsung devices with universal switch and Windows computers with scanning software.



ASL 540 12 Volt Rechargeable Battery and Charger with 9-Pin Connector

The ASL 540 12 Volt Rechargeable Battery and Charger with 9-pin connector allows one to take an ATOM digital drive control with a 9-pin connector and move it to a manual wheelchair. This allows a patient to have access to their technology consistently since the ATOM drive control will connect wirelessly to the ASL Accessories like the ASL 557-3 ATOM Bluetooth Wireless Switch Interface, ASL 558 ATOM Wireless Bluetooth Mouse Emulator, or the ASL 545E Tecla Shield. It is rechargeable and can be used while being charged. The battery will last up to three days and has a battery level indicator.

SECURITY MEASURES

A reset switch should always be plugged into a mode port programmed to stop the chair and be available in case of emergency to stop movement of the wheelchair. The ASL 110 FUSION Proportional and Digital Head Array is susceptible to moisture. If moisture contacts a sensor, unwanted movement may occur. Do not operate the ASL 110 FUSION Proportional and Digital Head Array in rain or snow. Do not cover the ASL 110 FUSION Proportional and Digital Head Array with a porous material. Do not operate the ASL 110 FUSION Proportional and Digital Head Array with wet hair.

Installation of the ASL 110 FUSION Proportional and Digital Head Array and the programming of the wheelchair electronics should only be conducted by a specialist with an in depth technical knowledge of the ASL 110 FUSION Proportional and Digital Head Array and the wheelchair electronics. All testing and verification of the completed wheelchair equipment with the ASL 110 FUSION Proportional and Digital Head Array to ISO/RESNA or applicable standards for the completed wheelchair, including RFI compatibility testing, is the sole responsibility of the wheelchair manufacturer.

WARRANTY

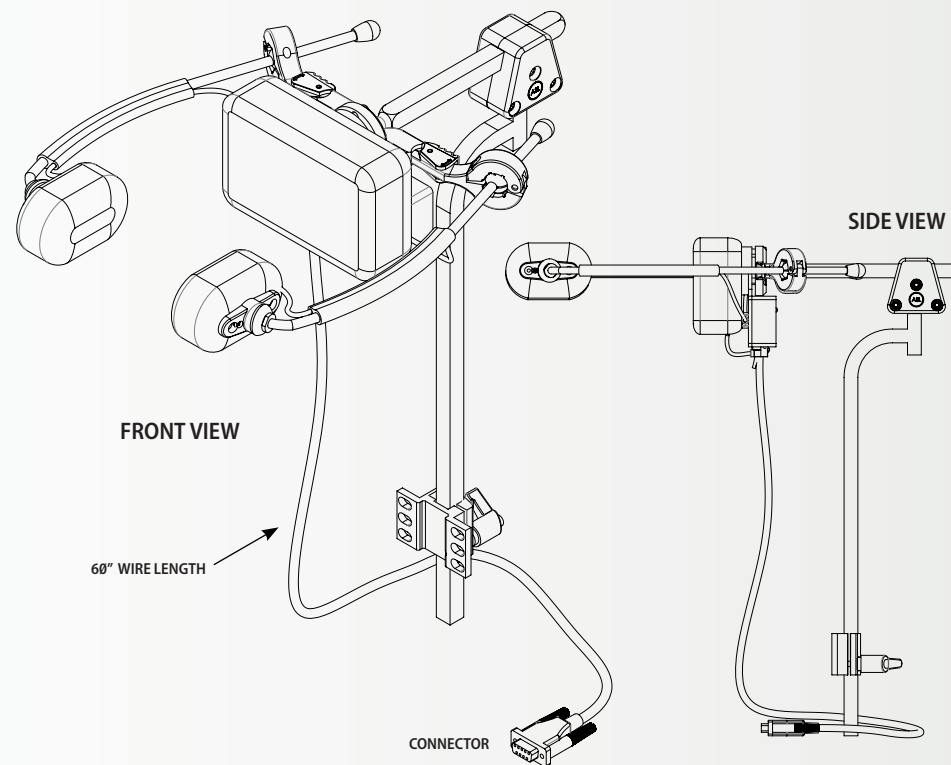
The ASL 110 FUSION Proportional and Digital Head Array is warranted to be free from manufacturing defects for two years from date of purchase.

This warranty shall not cover equipment modified or repaired by unauthorized personnel. ASL cannot be held responsible for damage caused by incorrect installation or incorrect use of the product. Misuse, mishandling, or storage is not covered by this warranty. The foregoing express warranty is exclusive and in lieu of any other warranties of any kind, whether express or implied, including the implied warranties of merchantability or fitness for a particular purpose, and is the sole and exclusive remedy for any defective product. The health care professional is responsible for understanding the intended use of the ASL equipment and the specification and safe programming parameters of the chair it is going on. The wheelchair manufacturer is responsible for testing and verification of the completed wheelchair equipped with the ASL 110 FUSION Proportional and Digital Head Array to ISO, RESNA or other applicable standards including RFI compatibility. RFI interference can impact the proper functioning of the wheelchair. Route and secure all cables in such a way in order to prevent damage by crushing, cutting or snagging. Incorrect installation, configuration, or programming could result in unsafe set up of the wheelchair for the user. ASL accepts no liability for losses of any kind which result for such conditions.



ASL 110 FUSION Proportional and Digital Head Array

PATENT PENDING



CONNECTION REQUIREMENTS:

LiNX Input Module
MK6i (ASL 171 Needed)
Omni or Omni 2
Enhanced Display or SKIM

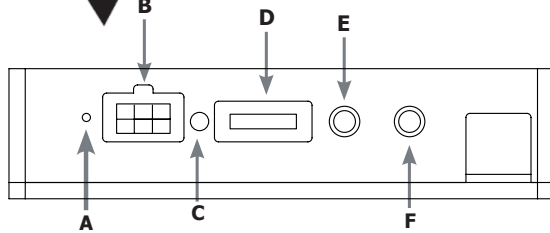
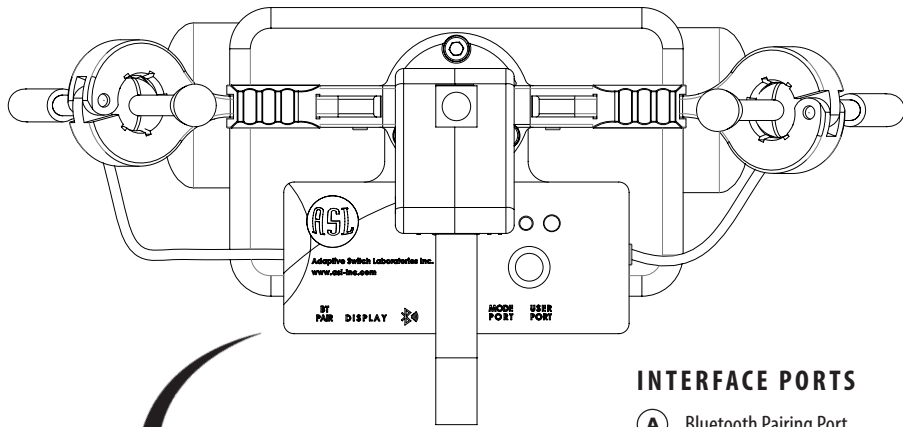


Powered by
ATOM Technology

SCAN FOR PROGRAMMING INFORMATION



FUSION PROPORTIONAL AND DIGITAL HEAD ARRAY EXPLANATION OF PARTS

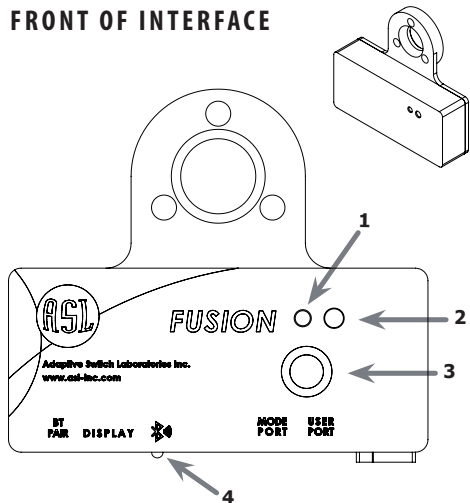


INTERFACE PORTS

- (A) Bluetooth Pairing Port
- (B) ASL 165 Display and Programmer Connection Port
- (C) Bluetooth Indicator Light
- (D) Back Pad Connection Port
- (E) Mode Port
- (F) User Port

When a switch is plugged into the User Port of the FUSION interface a momentary activation of the switch will activate the highlighted top selection on the ASL 165 when used as a display. When the patient holds the switch to the adjusted time, the system will move to the next line item turned on in the FUSION display. An Auditory tone will be heard 1 beep for On/Off, 2 beeps for Bluetooth, 3 beeps for Function Next, and 4 beeps for Profile Next.

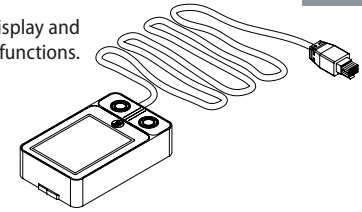
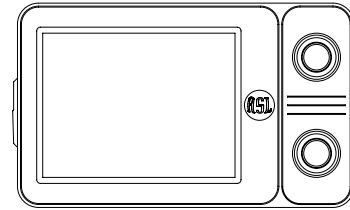
FRONT OF INTERFACE



- 1 **Light Sensor:** Automatically dims light when in a darker area
- 2 **Power Light:**
Green indicates - Driving Digital and Proportional
Amber indicates - Bluetooth Mode
- 3 **On/Off Membrane Switch**
- 4 **Bluetooth Light:**
 - Flashing Blue Light Indicates - Not Paired
 - Solid Light Indicates - Paired to ASL Accessory
 - No Light Indicates - Bluetooth is turned off in the Fusion

ASL 165 FUSION DISPLAY*

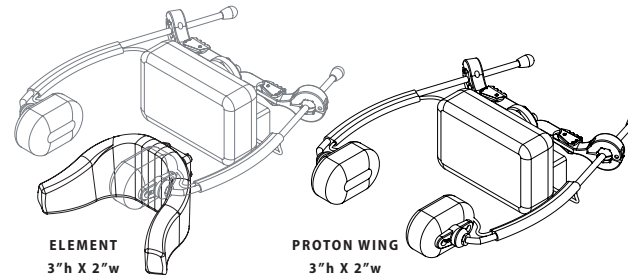
The FUSION Proportional Head Array is used with the ASL 165 FUSION Display and Programmer. The 165 FUSION Programmer and Display has multiple functions. It can be used to personalize the FUSION to the specific patients' needs.



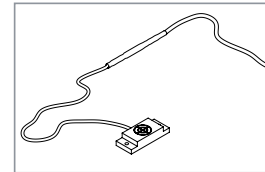
The 165 FUSION can be used as a display, so the patient will know what they are controlling, such as: *Bluetooth, Next Function, Next Profile, and On/Off* of the Head Array, but is not required.

* See ASL 165 FUSION Display and Programmer Manual for more information

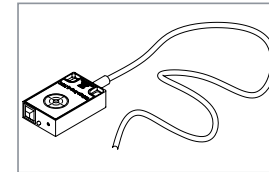
FUSION HEAD ARRAY SIZES



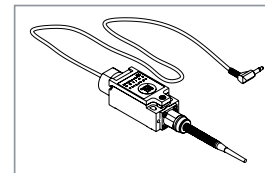
RESET SWITCHES & MOUNTING OPTIONS



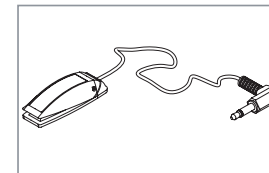
ASL 204 Non-Adjustable Proximity Sensor



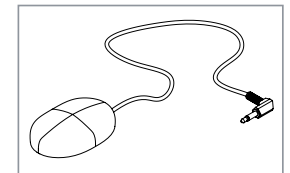
ASL 208 Adjustable Proximity Sensor



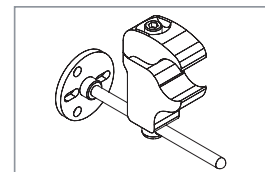
ASL 304B Wobble Switch



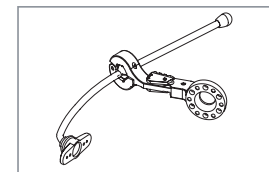
ASL 314 Ultra Light Switch



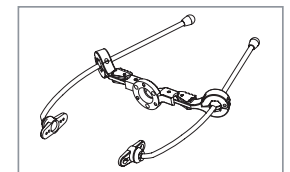
ASL 320 Pulse Mechanical Switch



ASL 611 Arm Rest Switch Mounting Bracket



ASL 930 Swing Away Mechanism (Single)



ASL 930B Swing Away Mechanism (Dual)